



# MENSA MATT BLACK CONCEALED BATH/SHOWER MIXER

040007

SPECIFICATION SHEET

## PRODUCT DETAILS

### TECHNICAL SPECIFICATIONS

**FLOW RATE** 21L/MINUTE @ 300Kpa

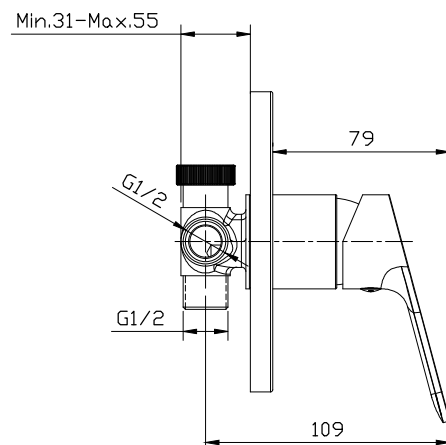
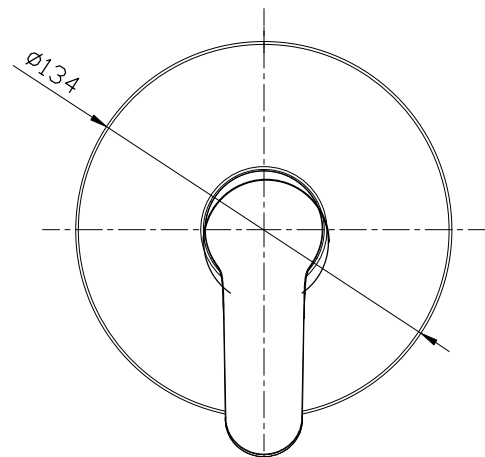
**BRASS GRADE** DZR (dezincification resistant brass)  
Cz132

**FINISH** MATT BLACK

**QUIET-FLOW TECHNOLOGY** BUILT-IN NOISE  
SURPRESSOR IN CARTRIDGE

**WORKING PRESSURE** 100Kpa - 600Kpa

**BODY** 4 WAY MIXER BODY WITH UP & DOWN OUTLET



### CLEANING INSTRUCTIONS

1. Avoid cleaning agents containing ingredients, such as chlorine bleach, formic acid, acetic or Hydrochloric acid.
2. Wipe all surfaces using a soft unabrasive cloth, with warm soapy water.

## 5 YEAR WARRANTY



[WWW.PLUMBLINK.CO.ZA](http://WWW.PLUMBLINK.CO.ZA)